



**Beijing Lucky Future** Company is one of the leading and active companies that is working effectively inside china and out of the country. This company was established in order to supply raw materials, and equipment for manufacturers of home appliance, especially Compressor for home refrigerators (Miele Brand).

Our mission is to provide innovative solutions for a better quality of life, always attentive to technological excellence and sustainability.

### **Our Team**

Because of extended activities in different fields, in order to reach to its planed target, this company started to run department as below:

- Trading Negotiation Group
- Commercial Service Unit
- Marketing , Sales and After Service
- Financial Group

Miele refrigerator Compressor R134a

## **Miele Refrigerator Compressors**

Miele refrigerator compressor is the perfect cooling solution for refrigerators and commercial appliances. Features include: MI-series reciprocating LBP compressor for refrigerators that provides a complete cooling solution for domestic and commercial refrigeration appliances. Having compact Size, silent operation, low voltage start ability (LVS) are just a few of our refrigerator compressor's prominent features. MI-Series refrigerator compressor caters to 6σ quality assurance and has globally proven reliability. Miele refrigerator compressor's innovative technology, high-end performance and unmatched quality allows customers to compete in the global market and reach their target.

北京好运前程公司是一家致力于中国境内外市场的引领公司。该公司主营业务为供应原材料、家用电器生产设备、特别是家用冰箱的压缩机产品(Miele品牌)。

我们的服务使命是为更高的生活质量而不断提供先进的解决方案，并将始终保持技术革新与可持续发展。

### **我们的团队**

从事于多种领域和活动，为达到远景目标，我公司构建的团队结构主要为：

- 贸易洽谈组
- 商务服务组
- 市场营销、销售与售后服务组
- 金融组

Miele冰箱压缩机 R134a

## **Miele 冰箱压缩机**

Miele 牌冰箱压缩机是家用商用制冷冰箱压缩机系列产品中的完美品牌。主要特色有： MI-系列活塞式低背压压缩机，用于国内和商业制冷设备。具有如结构紧凑、体积小巧、静音操作、低电压启动能力(LVS)等多种优势。该产品具有60多种质保服务项目，其可靠性已获得全球用户的认可。Miele冰箱压缩机以其先进的技术、高端的工作性能以及无可比拟的质量大大增强其用户在全球各个市场的竞争能力，完成远景目标。



系列 Series	型号 Model	电压 / 频率 Vol./Freq.	汽缸容积 Displacement	制冷量 Capacity	效率 COP	认证 Certification	推荐指数 Recommendation
		V/Hz	cm <sup>3</sup>	W	W/W		
EMY	EMY75HLC	220-240/50	7.00	215	1.60	CCC/VDE/CE	***
	EMY75HLC	200-230/60	7.00	254	1.62	CCC/VDE	****

## COMPRESSOR DEFINITION

Designation	MI215C716
Nominal voltage/Frequency	200~230V/50Hz

### A APPLICATION / LIMIT WORKING CONDITIONS

No.	Description	DATA
1	Type	Hermetic reciprocating compressor
2	Refrigerant	R-134a
3	Nominal voltage and frequency	200~230/50 [V / Hz]
4	Application type	Low Back Pressure
5	Motor type	RSCR
6	Starting torque	LST-Low Starting Torque
7	Expansion device	Capillary Tube
8	Compressor cooling	Operating voltage range
		50Hz
8.1	LBP(32°C ambient temperature)	Static 175~260V
8.2	LBP(43°C ambient temperature)	Static 175~260V
9	Maximum condensing pressure	
9.1	Operating(gauge)	16.2 [kgf/cm <sup>2</sup> ](230 psig)
9.2	Peak(gauge)	20.6 [kgf/cm <sup>2</sup> ](293 psig)
10	Maximum winding temperature	130 [°C]

### B MECHANICAL DATA

No.	Description	Data
1	Commercial designation	1/3 [hp]
2	Displacement	7.00 [cm <sup>3</sup> ]
3	Lubricant oil	
3.1	Lubricant Charge	180 +10/-5 [ml]
3.2	Lubricant Type	Ester Alpha 22
3.3	Lubricant viscosity	ISO22
		40°C 20.5 ~ 22.5 mm <sup>2</sup> /s
		100°C 3.80 ~ 4.40 mm <sup>2</sup> /s
4	Weight (with oil charge)	Max. 8.9 [kg]
5	Noise	≤42 (-20°C/+50°C) [dB(A)]-measured according to ISO3741
6	Vibration	≤0.7 [m/s <sup>2</sup> ]
7	Dry air charge	0.04 to 0.06 [Mpa]

### C ELECTRICAL DATA

No.	Description	Data
1	Nominal Voltage/Frequency/Number of Phases	200~230V / 50Hz 1~ (Single Phase)
2	Starting device type	PTC QP2-20A
3	Run capacitor	4.0μ F 400 VAC min
4	Motor protection	
4.1		OLP 4TM276MFBYY-53 Manufacturer: Sensata
5	Main winding resistance	11.81 [Ω at 25°C(77° F)]+/- 8%
6	Auxiliary winding resistance	16.50 [Ω at 25°C(77° F)]+/- 8%
7	LRA – Locked Rotor Amperage (50Hz)	7.7 [A] – Measured according to UL 984

8	Electrical cover	Terminal board cover
9	Electrical safety	According to IEC 335-2-34 or GB4706.17
10	Approval boards certification	CCC&VDE

#### D PERFORMANCE -CHECK POINT DATA

TEST CONDITIONS @220V/50Hz			LBP-ASHRAE Static	(Evaporating Temperature -23.3°C) (Condensing Temperature 54.4°C)			
Cooling capacity ≥93%			Power Consumption ≤115%	Current Consumption ≤110%	Efficiency Rate ≥93%		
[Btu/h]	[Kcal/h]	[W]	[W]	[A]	w/w	[Btu/Wh]	[Kcal/Wh]
733	185	215	141.4	0.77	1.52	5.12	1.29

#### E LIMIT WORKING CONDITIONS

No.	Description	Data
1	Ambient temperature	0~43 [°C]
2	Evaporating temperature range	-35~-10 [°C]
3	Voltage range	175~260 [V]
4	Maximum discharge pressures	0.98 [Mpa] gauge
5	Maximum shell temperature	95 [°C]
6	Maximum discharge temperature	130 [°C]
7	Starting characteristic	0.6/0.6Mpa(gauge) & winding temperature 105°C 190V

#### F EXTERNAL CHARACTERISTICS

No.	Description	Data
1	Base Plate	European (Small)
2	Tray Holder	No
2.1	Tray	No
3	Connectors	
3.1	SUCTION	6.5 +0.12/-0.08 [mm]
3.1.1	Material	Copper
3.1.2	Shape	Bended
3.2	DISCHARGE	4.9 +0.10/-0.05 [mm]
3.2.1	Material	Copper
3.2.2	Shape	Bended
3.3	PROCESS	6.5 +0.12/-0.08 [mm]
3.3.1	Material	Copper
3.3.2	Shape	Bended
3.4	Oil cooler (Copper)	No [mm]
3.5	Connector Sealing	Rubber Plugs
3.6	Ground terminal	Fasten

#### G PACKING STORAGE & TRANSPORT

No.	Description	Data
1.1	Compressor	EPS /wooden parts with 100 pieces
1.2	Accessories	Wooden parts
2	Maximum storage time before assembly	Half year
3	Transport	By truck /By ocean freight/by ship

#### H RESIDUE

No.	Description	Data
-----	-------------	------

1	Moisture in compressor(without oil)	100 mg maximum
2	Water Soluble residue	30 mg maximum
3	Residues Insoluble	20 mg maximum

#### **I HANDLING DURING APPLIANCE ASSEMBLY**

<b>No.</b>	<b>Description</b>	<b>Data</b>
1	Vacuum level at appliance	Max 0.6mbar (abs pressure)
2	Non-condensable limit	1%
3	Maximum open-connections time	15 minutes
4	Recommended dryer type	XH7° or XH9°
5	Max inclination during operation	5°
6	Chlorine wash-up	Not allowed
7	Use of non-specified oils	Not allowed
8	Liquid return to compressor	Forbidden
9	Rust protection	Shell: according to DIN 50021 Hermetic terminal: nickel plating (thickness 0.0008to 0.005) Earth terminal: tin plating-according to ASTM B45, SC2

#### **J OTHERS**

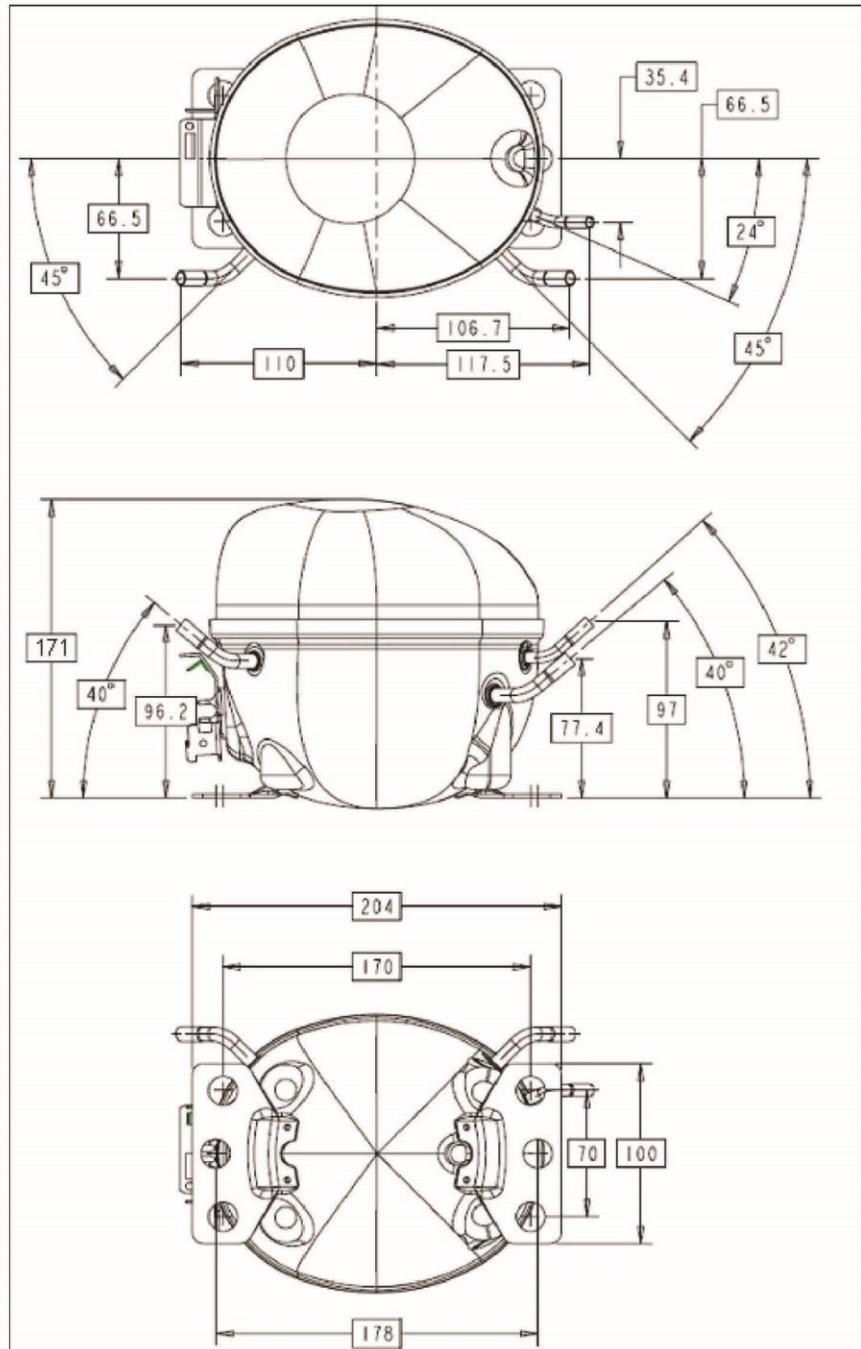
<b>No.</b>	<b>Description</b>
1	A dropped compressor must not be assembled.
2	The compressor must not be subject to high voltage or starting tests while under vacuum.
3	The compressor must not be tested unless connected to the refrigeration system.
4	The compressor must not be charged with antifreeze agents.
5	Maximum quantity of oil circulating in the refrigerating system during operation is 0.5%.
6	Extracting rubber plugs sequence must be discharge tube, process tube, suction tube
7	Scrap of compressor and accessory should meet environment protection's requirement

**COMPOSITION: 51.330.0208**

<b>NO</b>	<b>CODE</b>	<b>QTY.</b>	<b>DESCRIPTION</b>
1	51.330.0208	1	MI215C716
2	01.660.5008	1	Board Cover
3	01.664.1001	1	Cord relief (Long)
4	01.664.2001	1	Cord relief (Short)
5	01.664.6011	2	Screw M3.5×19
6	01.363.4512	1	4 TM276MFBYY-53
7	01.364.3001	1	PTC (QP2-20A)
8	01.344.5016	1	Capacitor 4μ F
9	02.217.134	4	Rubber grommet

DESIGNATION
MI215C716 200V~230V 50Hz

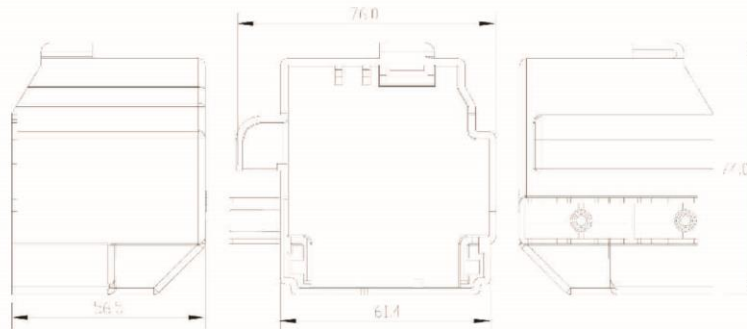
**Shape of the compressor**





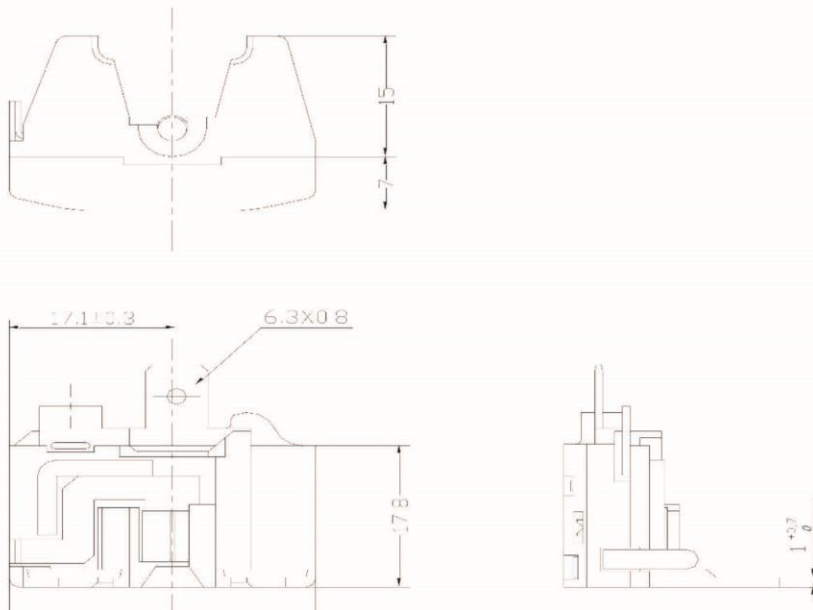
### Board cover

Engineering Code	01.660.5008
Supplier	Snow flake/TY
material	POLI-FENIENE OXID
UL Flammability Classification	UL 94 V-0
Color	Black



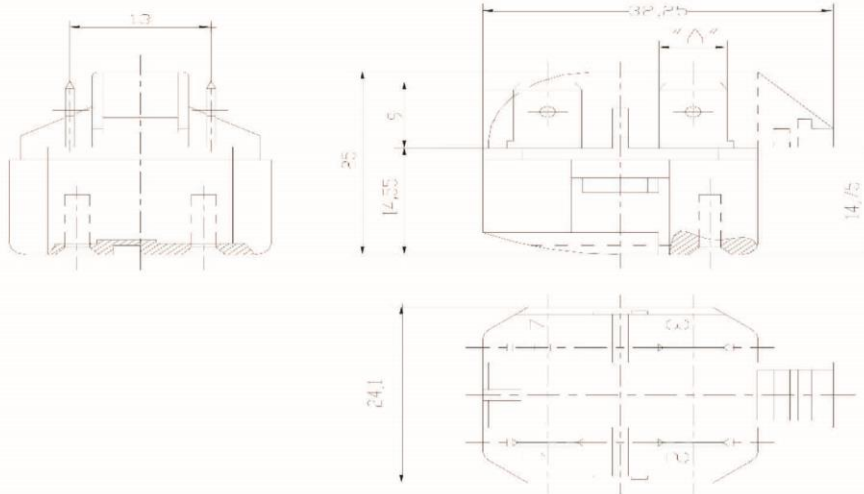
### Protector

Engineering Code	01.363.4512
Type	Sensata: 4TM276MFBYY-53
Trip Temp. ( °C )	115±5°C
Release Temp. ( °C )	61±9°C
Turn off Current 25°C(A)	9.0A
Size of terminal	6.3×0.8mm
Force of insertion	68.6N
Force of extraction	12.25N
UL Flammability Classification	UL94-V0



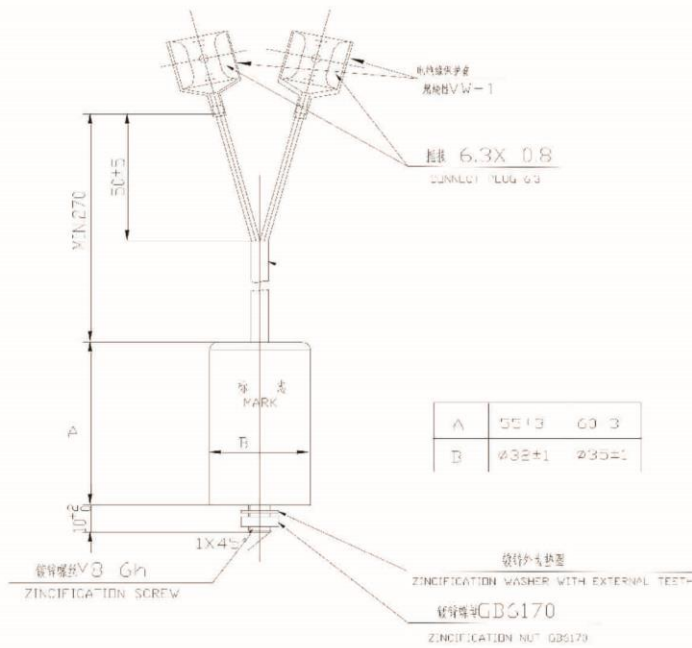
**PTC**

Engineering code	01.364.3001
Model	QP2-20A
Resistance 25°C	15~25Ω
MAX. Voltage	300V
MAX. Current	7A
Terminal dimension	6.3×0.8mm
Burn resisting	UL94V-0
Insert force	88.2N
Extracting force	24.5N
Curie temperature	135°C



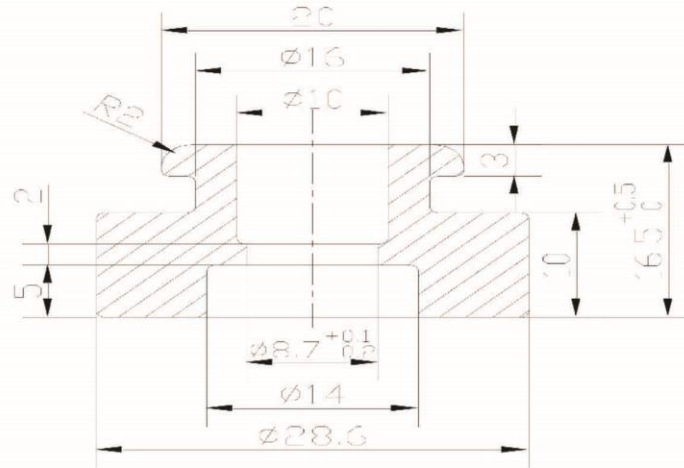
**Run Capacitor**

Engineering Code	01.344.5016
Supplier	Haoye / Feida
Rated Capacitance	4 ± 5% μ F
Rated Voltage/Frequency	400V~(or 450V~optional)/50/60Hz
Climate	40/085/21



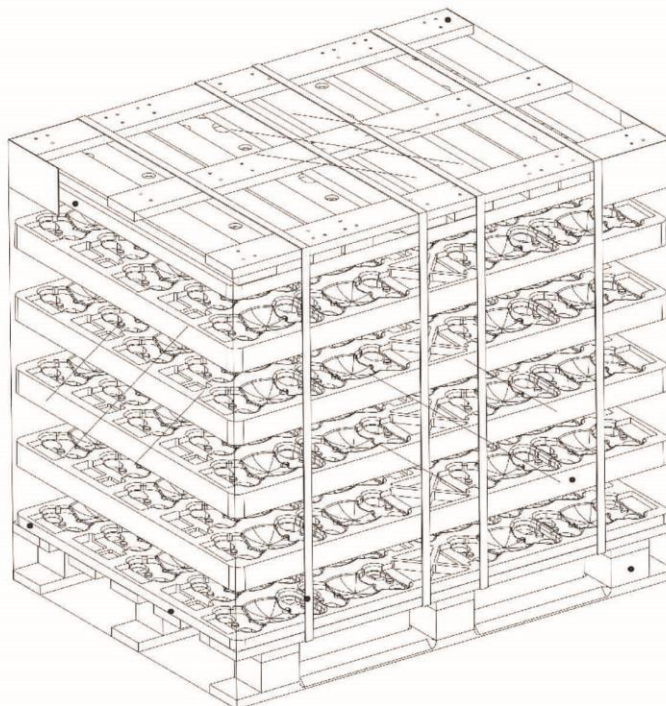
### Rubber Grommet

Engineering Code	02.217.134
Dimensions	mm



### Compressor package

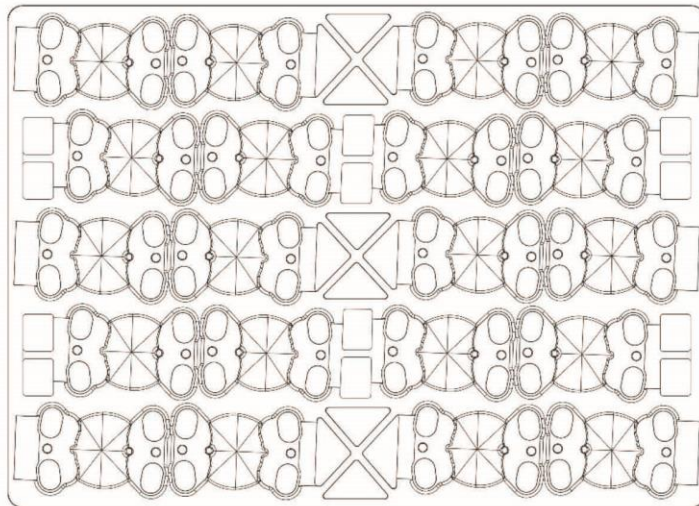
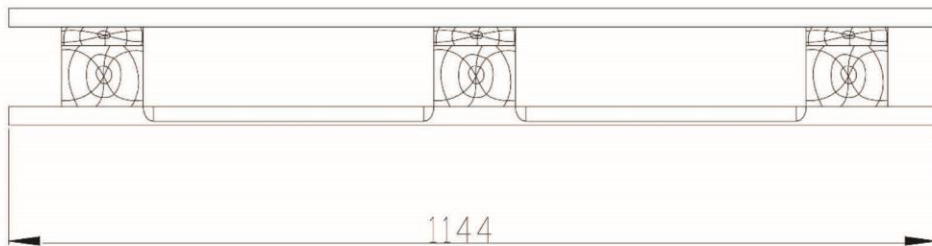
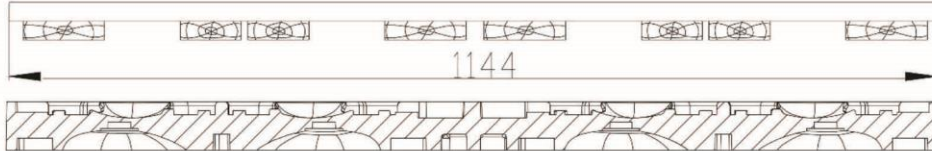
MARKET	-External market
TRANSPORT	-By truck / By ocean freight
CAPACITY	-100 pieces compressors maximum
Gross weight (kg)	-860
BULK (m <sup>3</sup> )	-Maximum 1.0
MEASUREMENT	-1144 × 830 × 1062 mm
HANDLING	-Mechanical
STACKING	-2 pallets maximum
REQUIREMENT	-Stretching film package for the whole pallets





### Compressor package

Upper drawing	Wooden up cover	1 piece	1144X830 [mm]
Middle drawing	EPS package	4 pieces	1144X830 [mm]
Lower drawing	Wooden bottom tray	1 piece	1144X830 [mm]
Lowest drawing	EPS package top view and left view		



Notes:



Beijing Lucky Future Trading Co., Ltd

Add: Room 2066, F2, Tongchengda Building,  
26th Jinganli, Chaoyang Dist., Beijing China(100028)

Tel: (+86) 010-5759 2330

Fax: (+86) 010-5759 2388

E-mail :[info@beijingluckyfuture.com](mailto:info@beijingluckyfuture.com) / [info@miele.com](mailto:info@miele.com)

Web Site :[www.miele-compressor.com](http://www.miele-compressor.com)

北京好运前程贸易有限公司

地址: 中国 北京市朝阳区静安里通成达大厦二层2066室(100028)

电话: (+86) 010-5759 2330

传真: (+86) 010-5759 2388

邮箱: [info@beijingluckyfuture.com](mailto:info@beijingluckyfuture.com) / [info@miele.com](mailto:info@miele.com)

网页: [www.miele-compressor.com](http://www.miele-compressor.com)